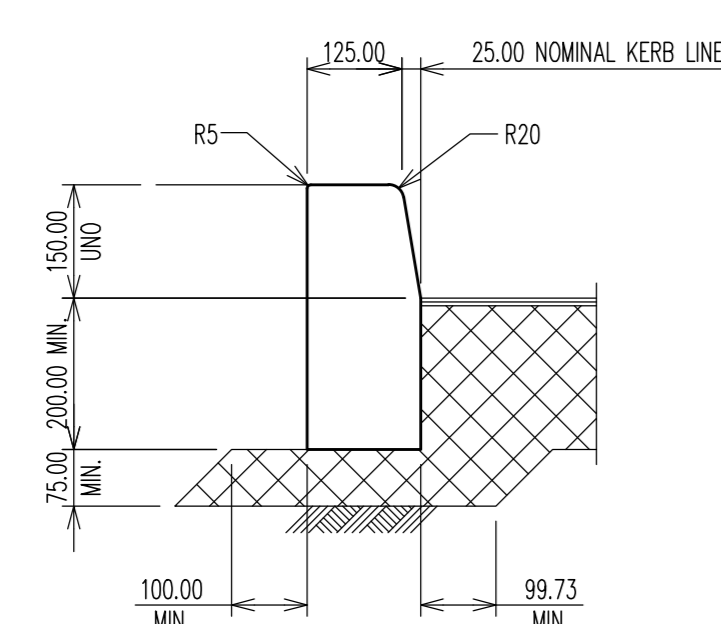
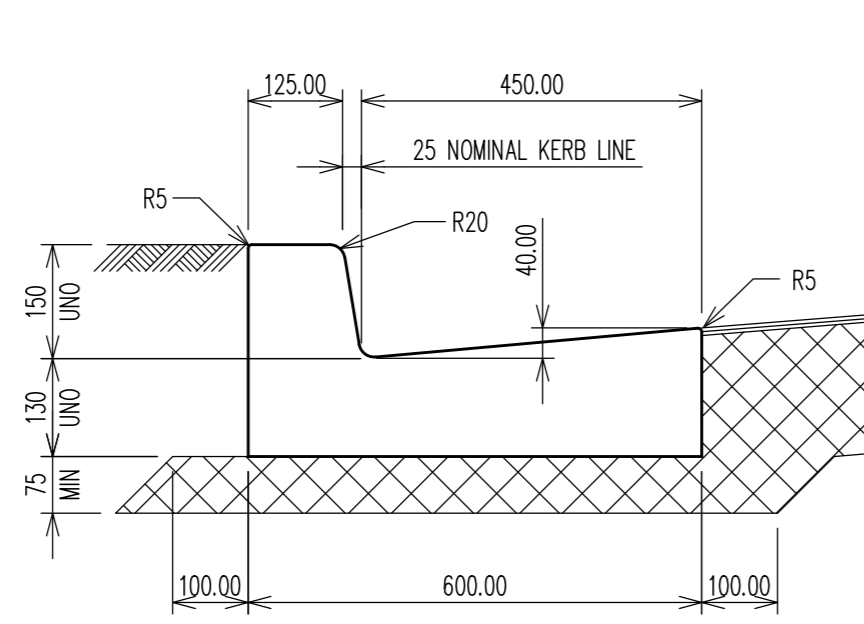


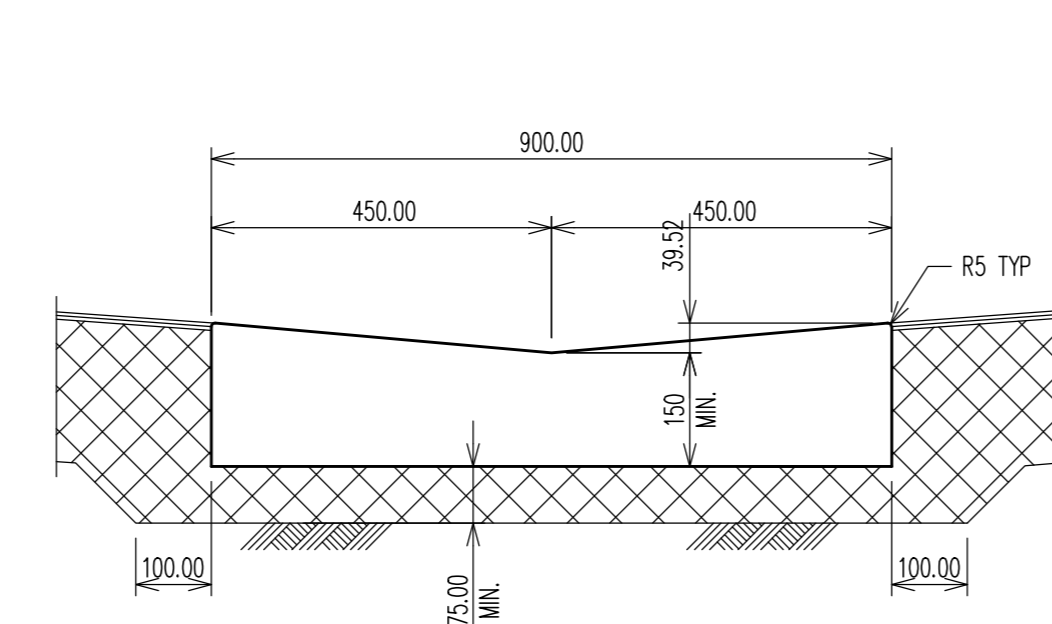
KERB WITH TOE (KT)
SCALE 1:10



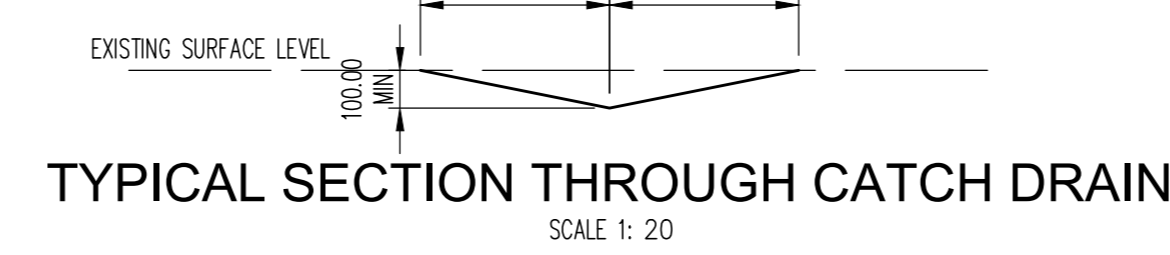
KERB ONLY (KO)
SCALE 1:10



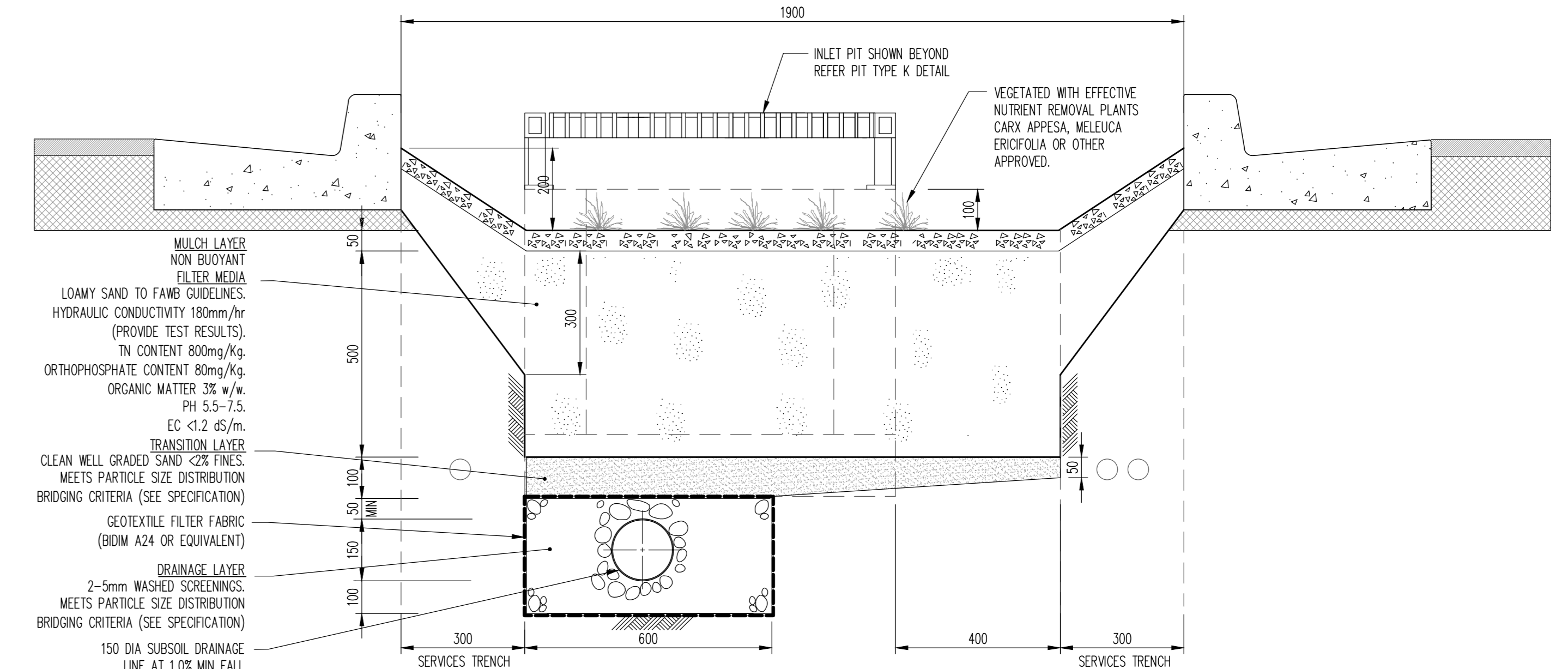
KERB AND GUTTER (K&G)
SCALE 1:10



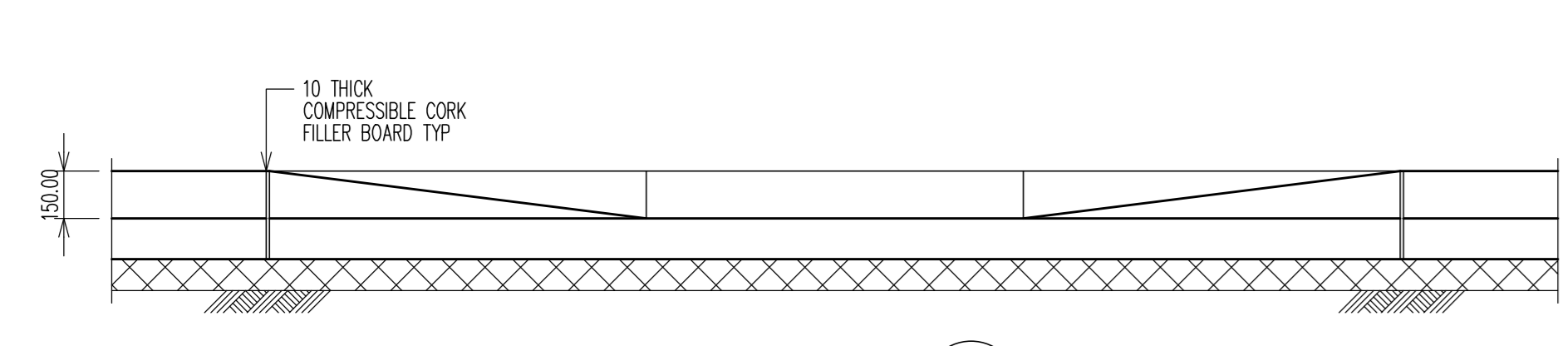
DISH DRAIN (DD)
SCALE 1:10



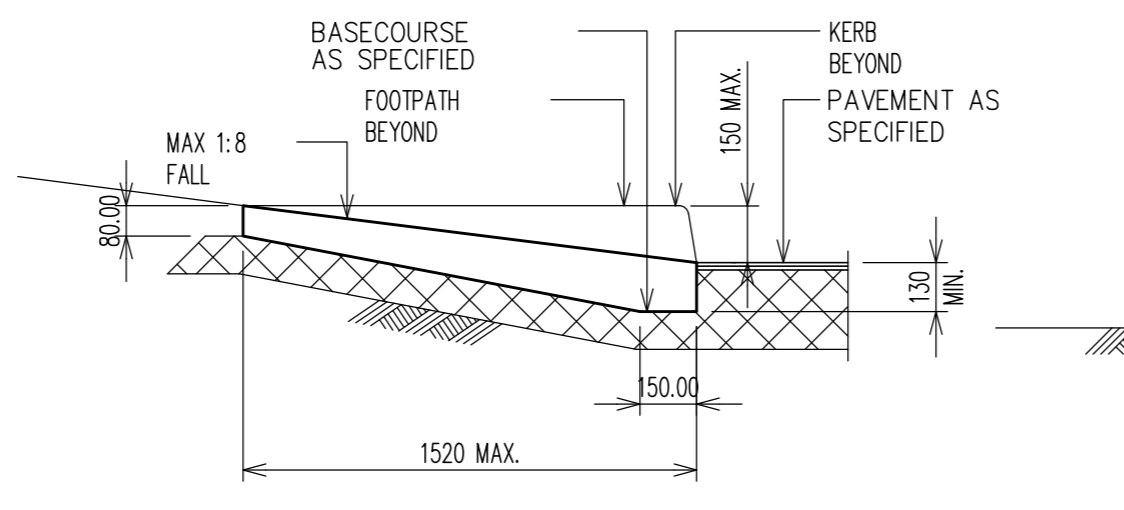
TYPICAL SECTION THROUGH CATCH DRAIN
SCALE 1: 20



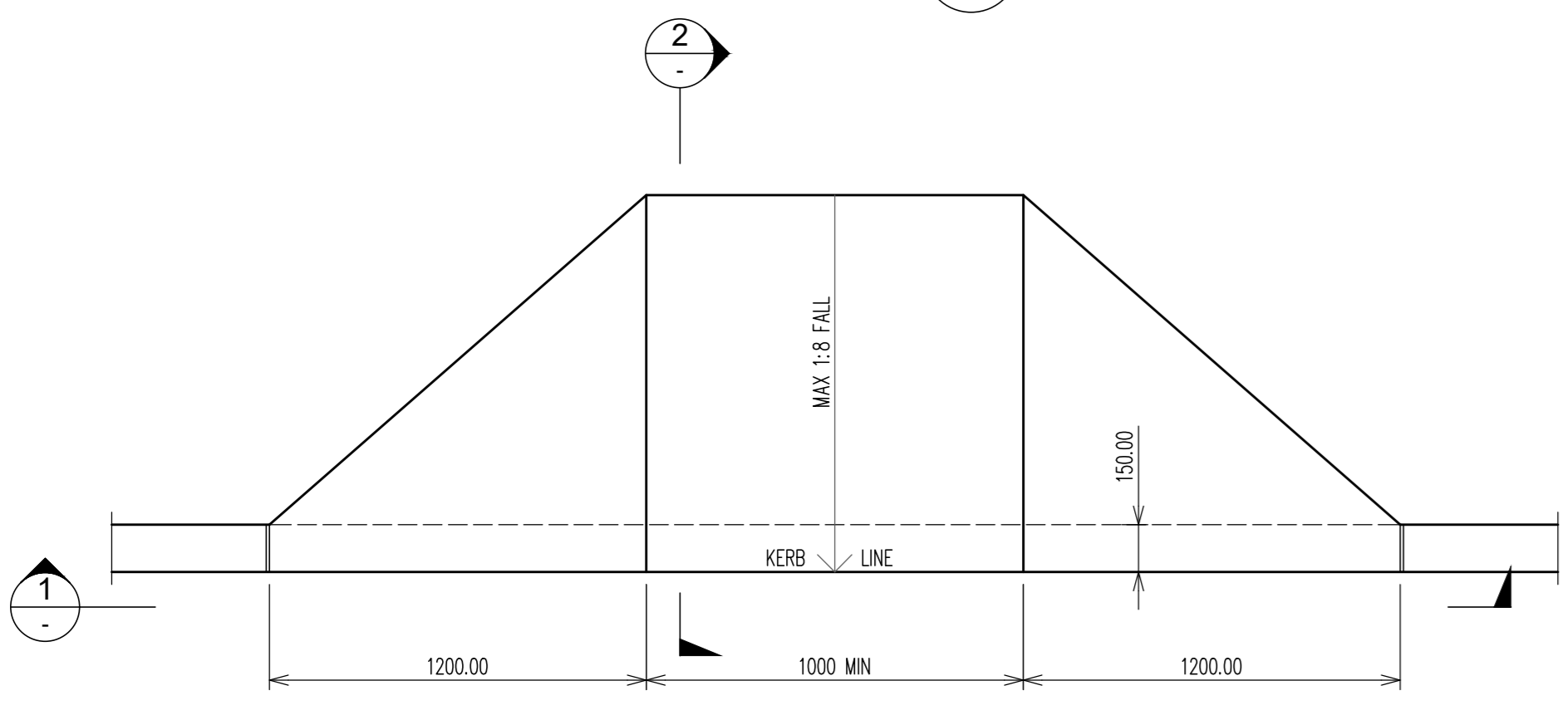
BIO-INFILTRATION DETAIL
SCALE 1: 10



ELEVATION 1
SCALE 1: 20

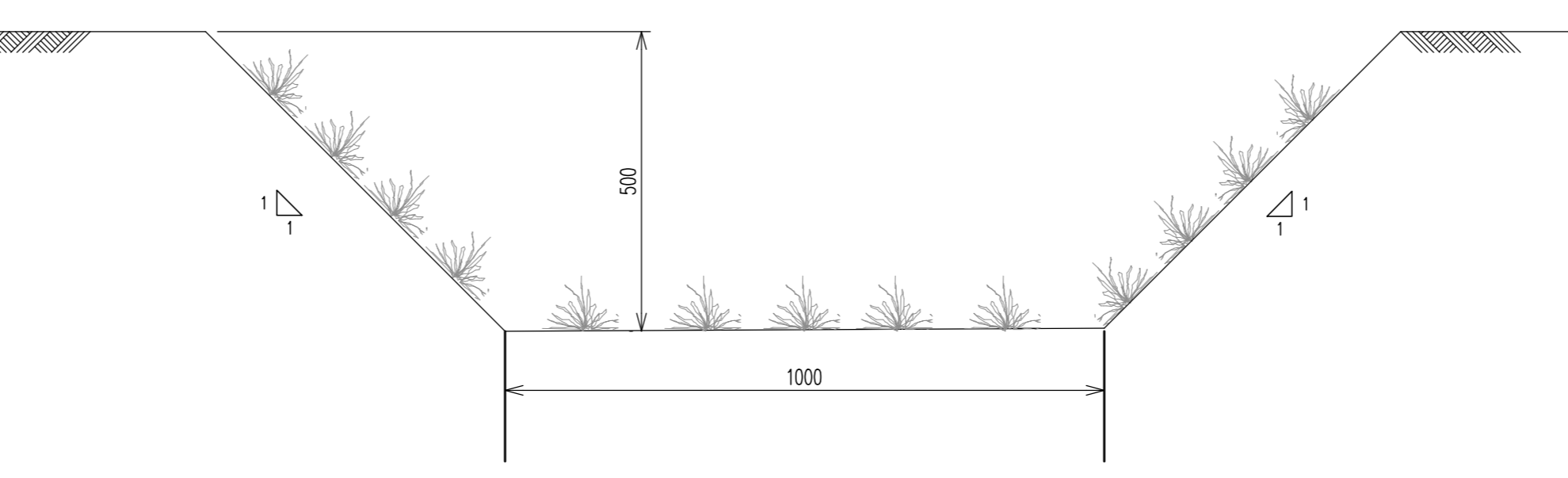


SECTION 2
SCALE 1: 20

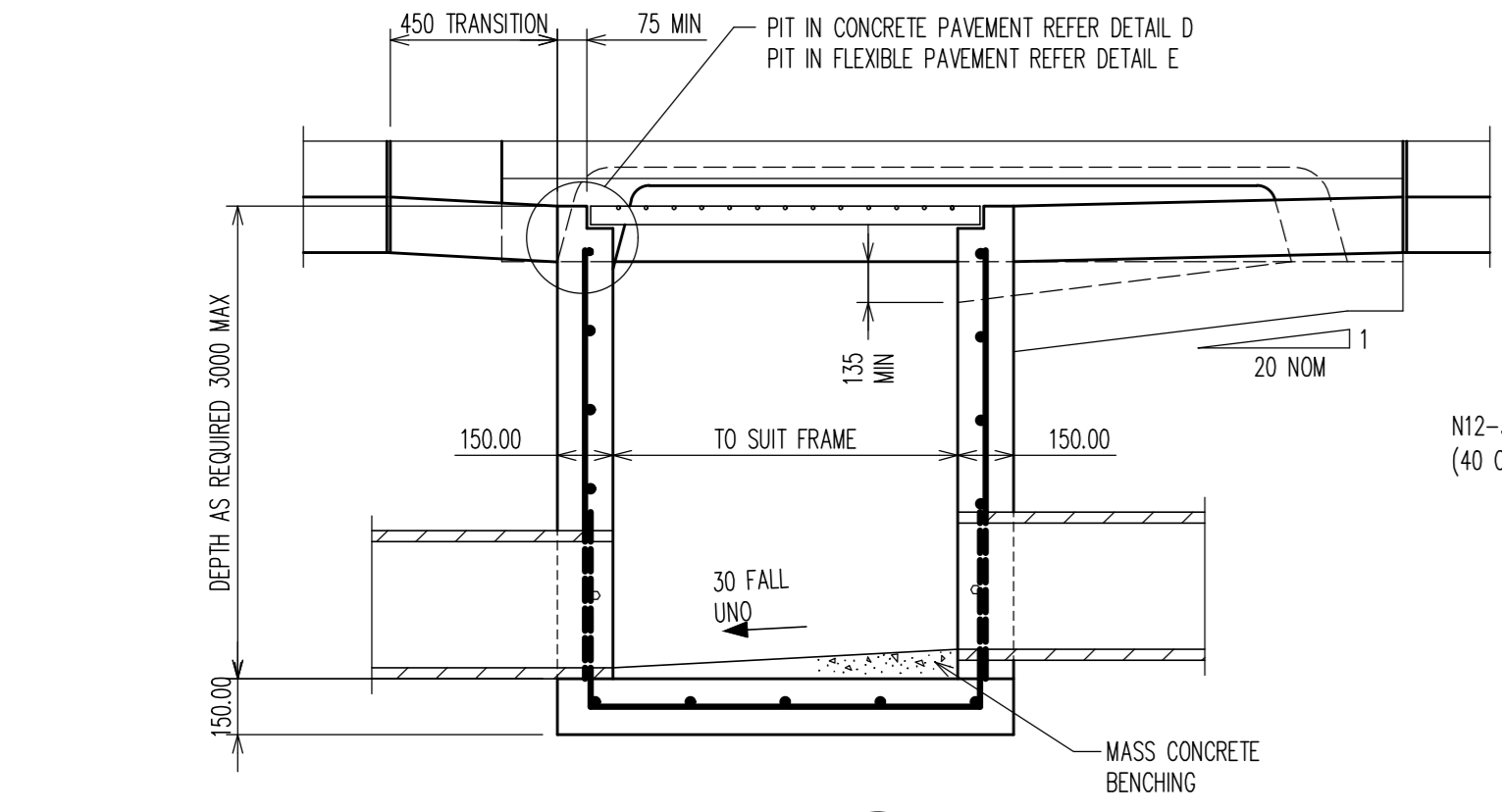


PLAN
SCALE 1: 20

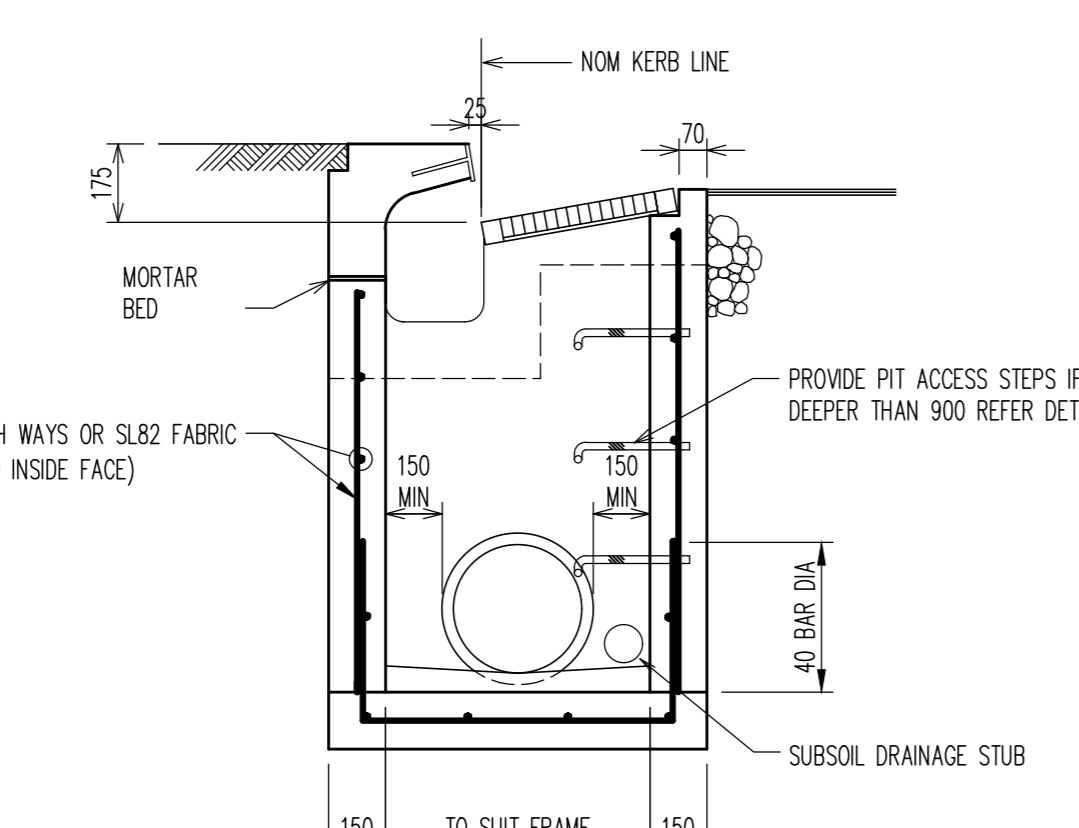
RAMPED CROSSING
SCALE 1:20



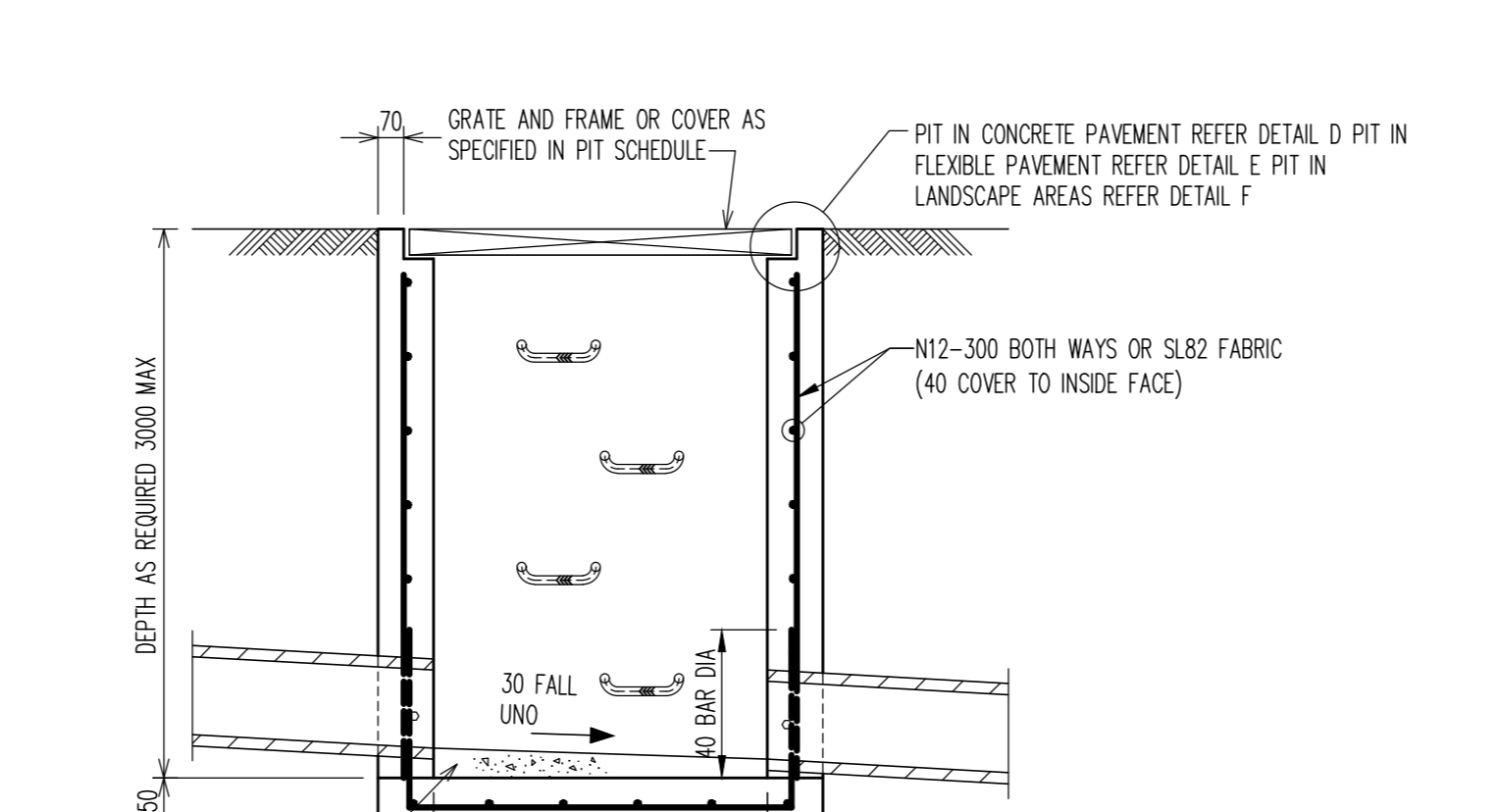
DRAINAGE SWALE
SCALE 1: 10



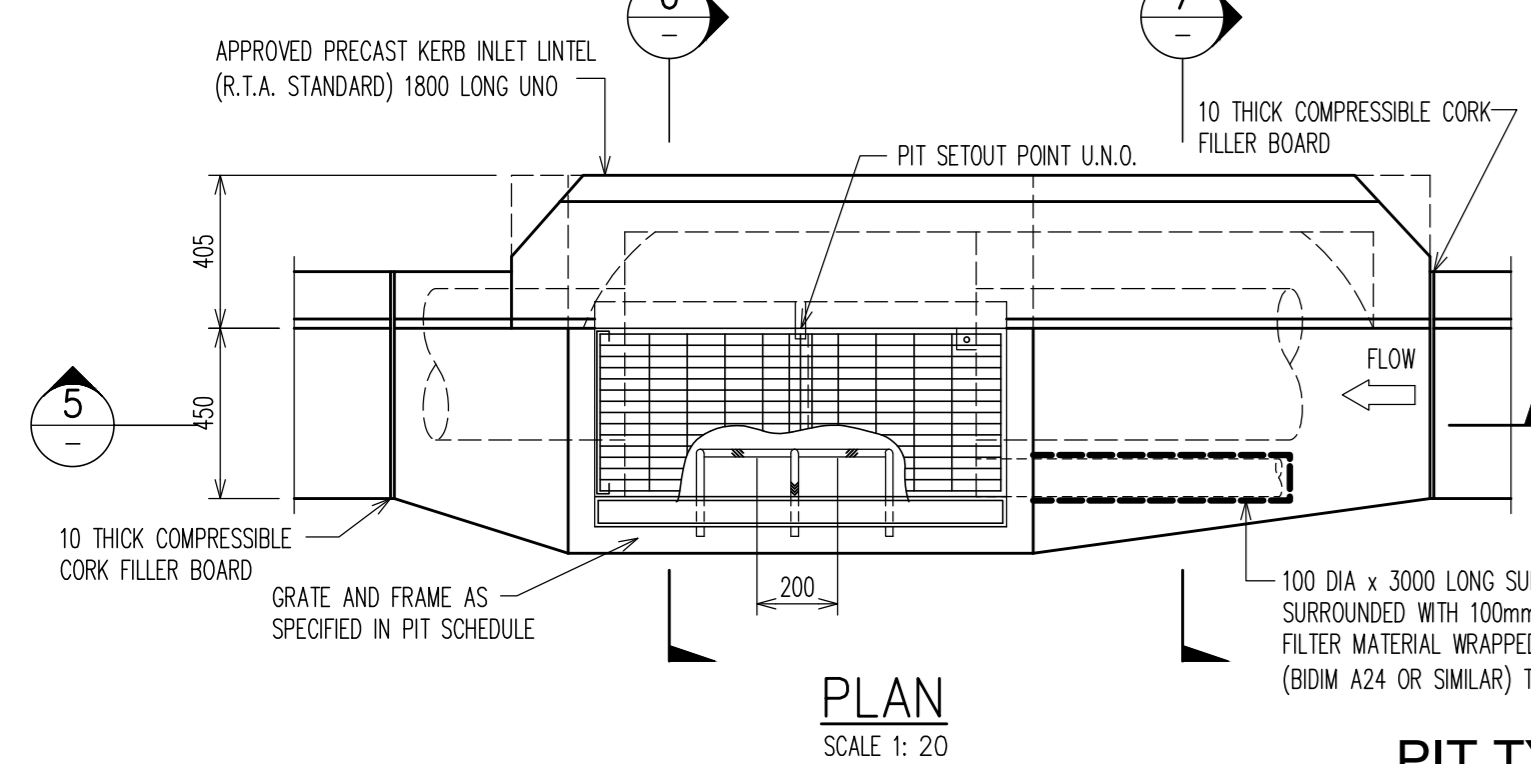
SECTION 5
SCALE 1: 1



SECTION 6
SCALE 1: 1

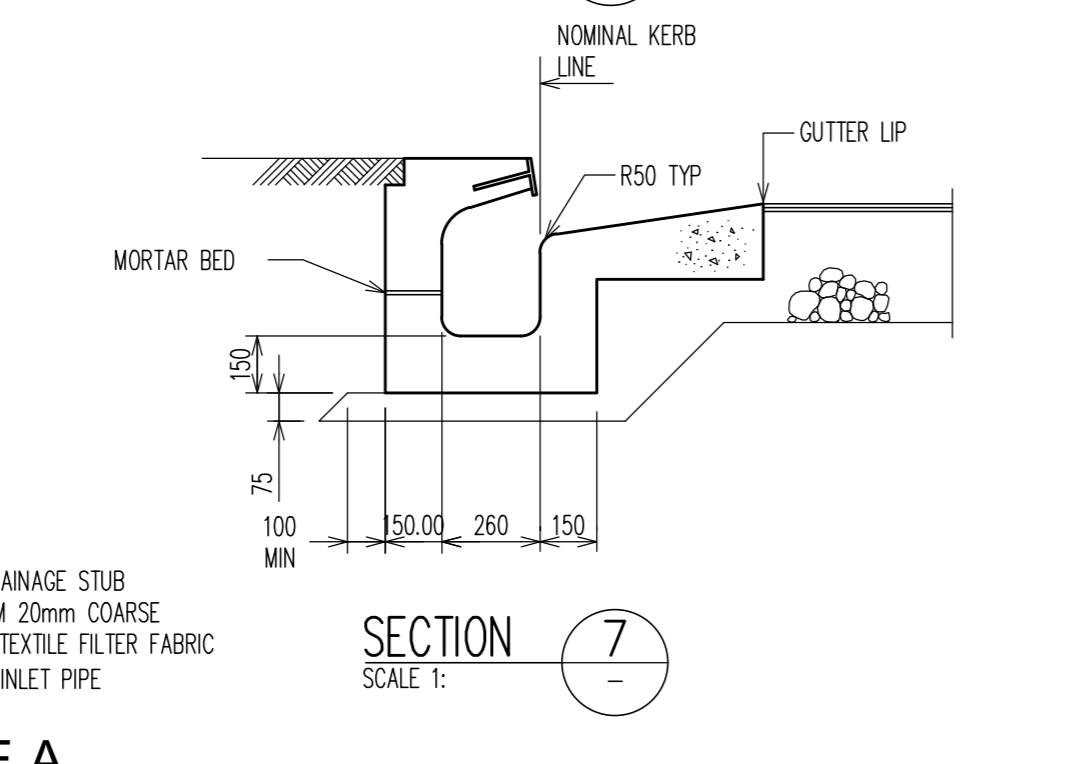


SECTION 3
SCALE 1: 20

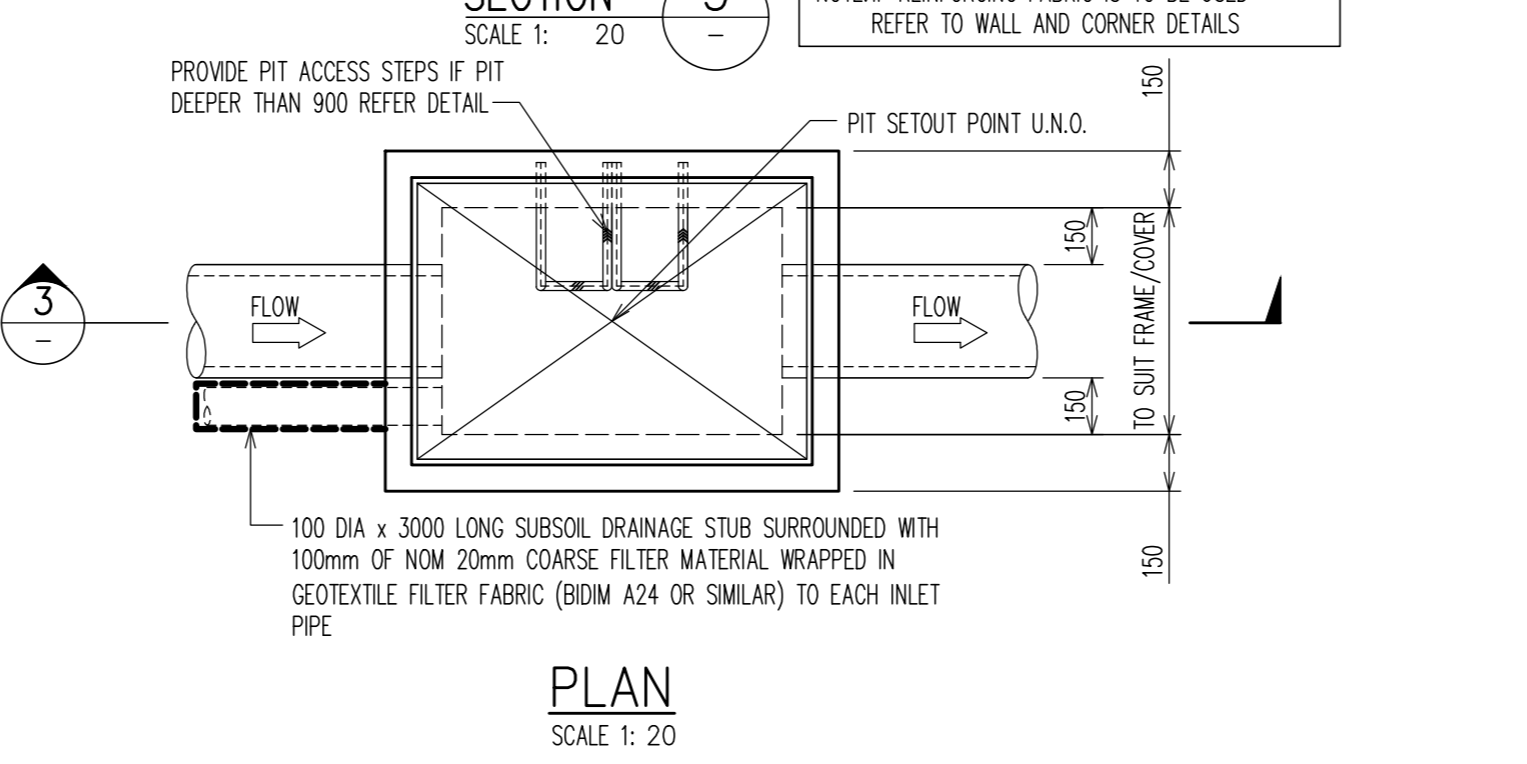


PLAN
SCALE 1: 20

PIT TYPE A

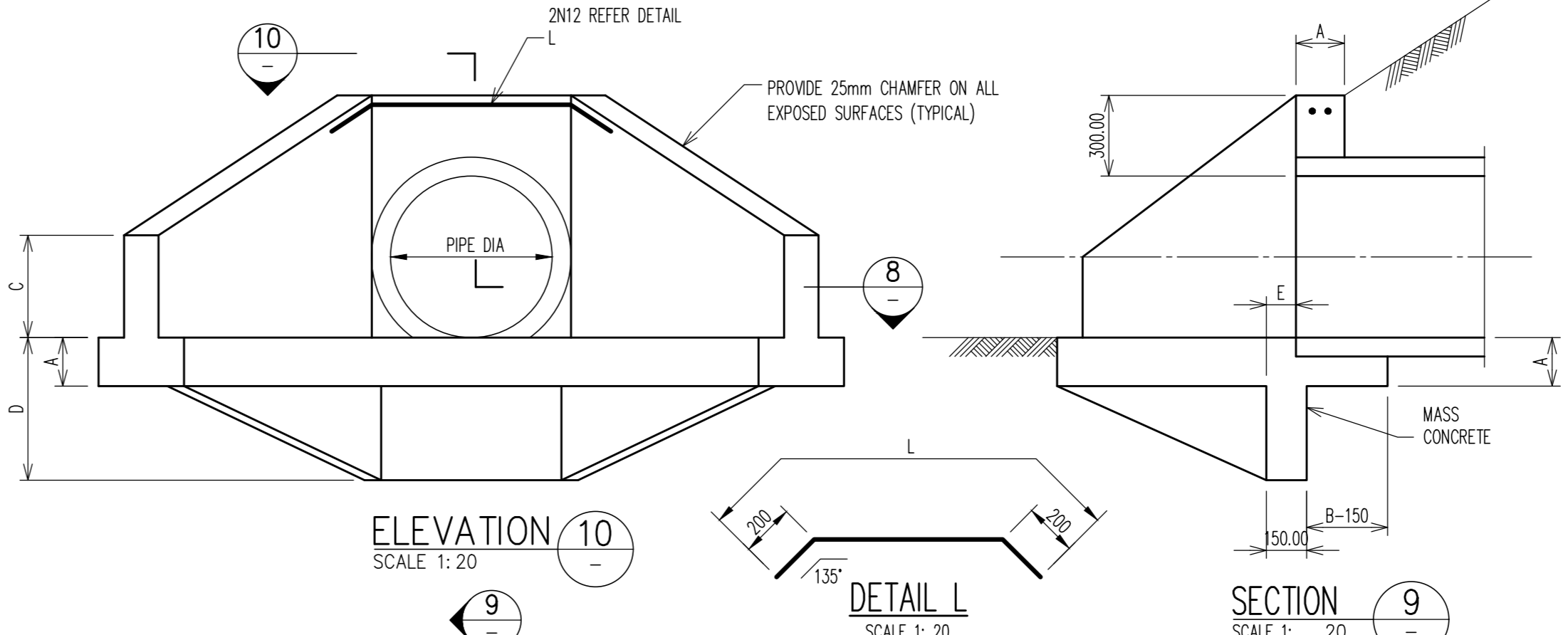


SECTION 7
SCALE 1: 1



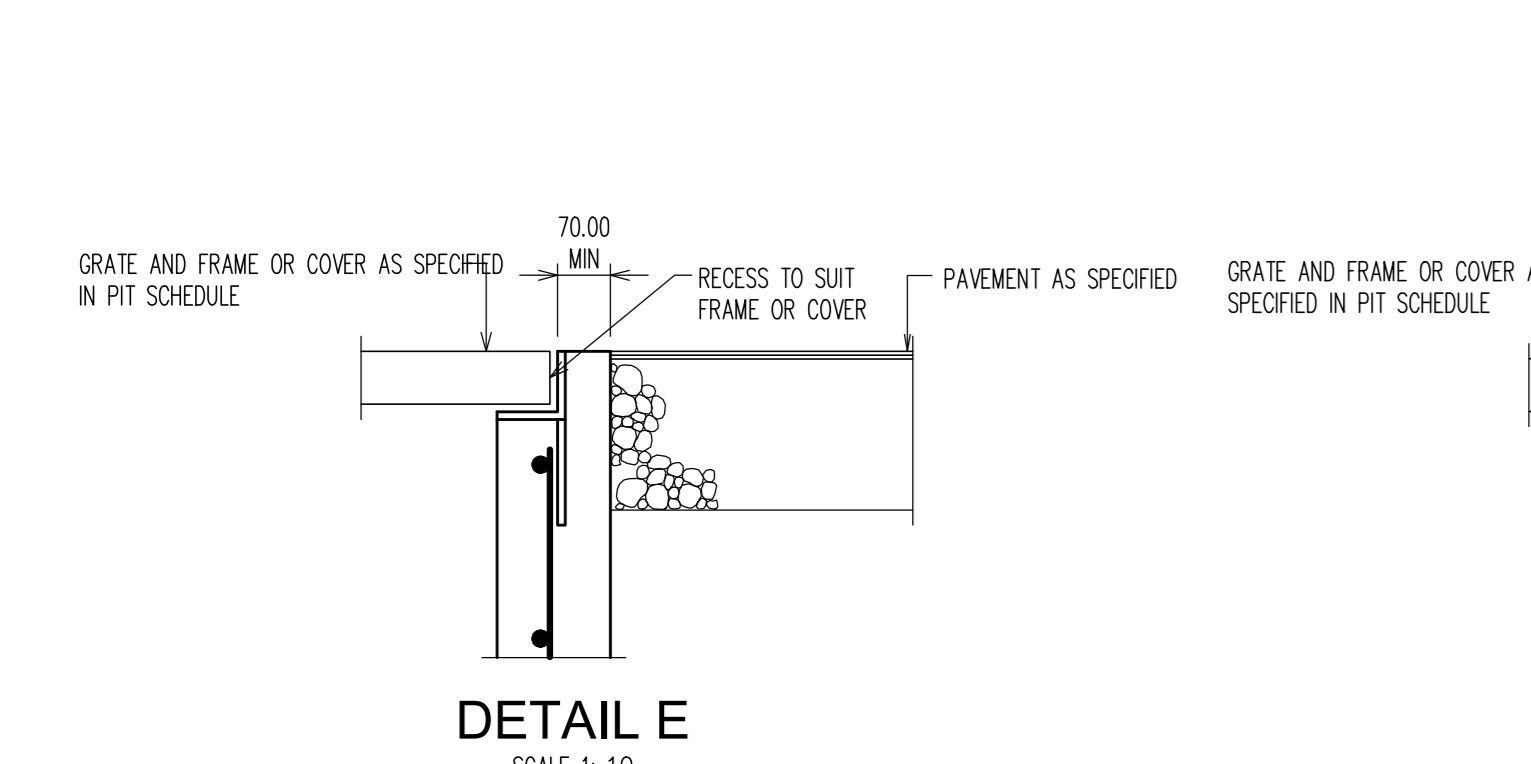
PLAN
SCALE 1: 20

PIT TYPE B



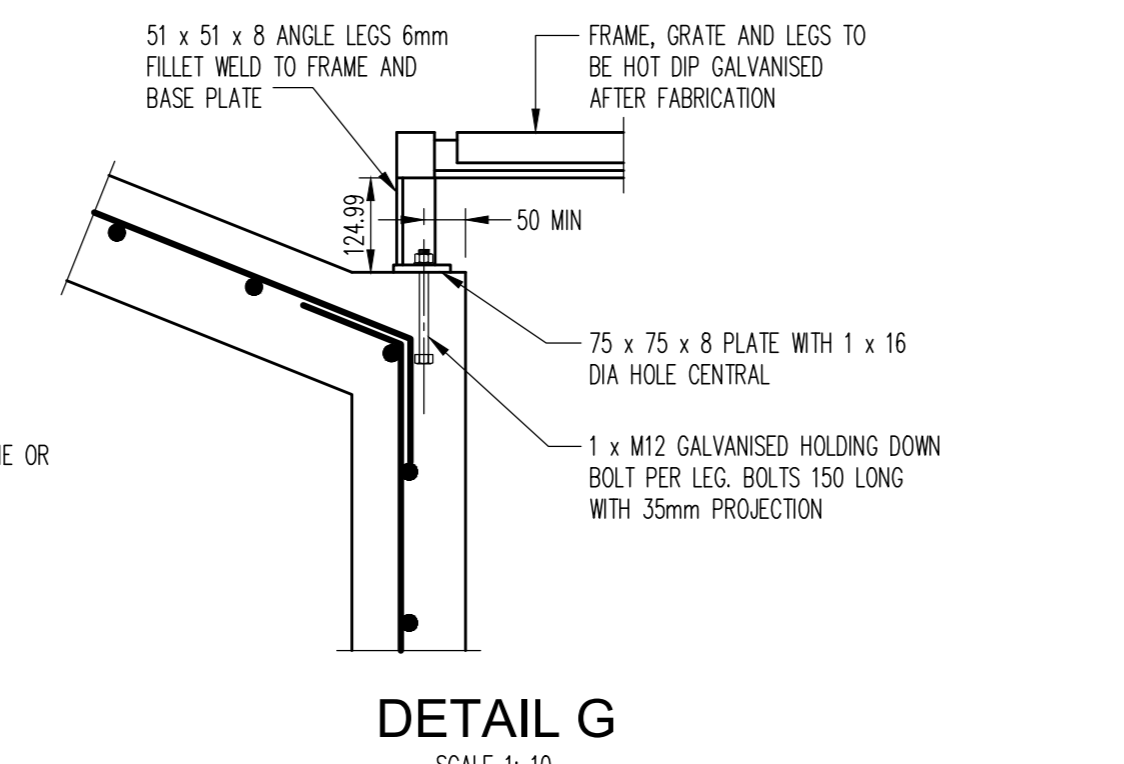
ELEVATION 10
SCALE 1: 20

SECTION 9
SCALE 1: 20

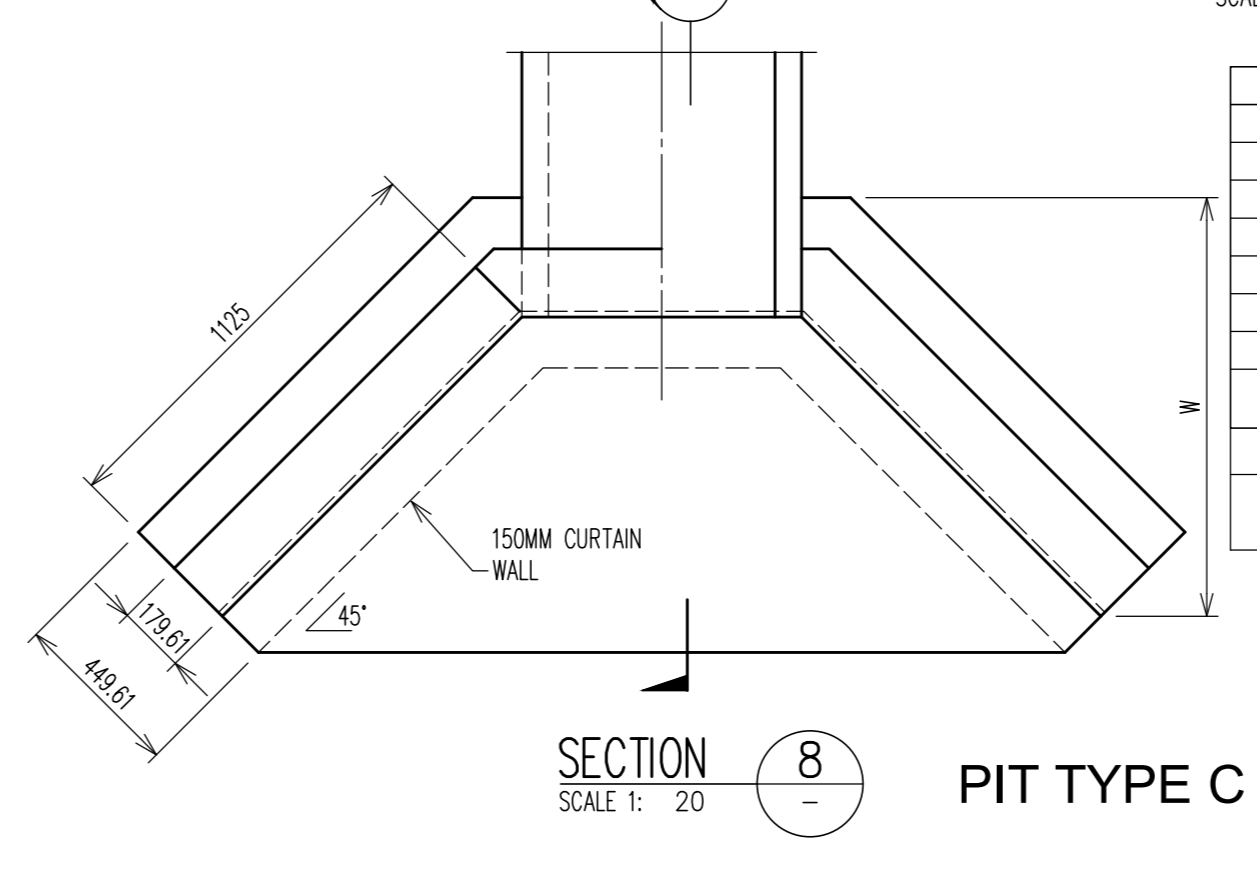


DETAIL E
SCALE 1: 10

DETAIL F
SCALE 1: 10



DETAIL G
SCALE 1: 10



SECTION 8
SCALE 1: 20

PIT TYPE C

PIPE DIAMETER	300	375	450	525	600	750	900
A	150	150	150	150	180	205	230
B	300	300	300	300	450	450	450
C	300	300	300	300	360	360	360
D	360	360	360	360	530	530	530
E	75	75	75	75	110	110	110
W	690	690	840	990	1120	1450	1780
L	840	840	915	990	1100	1290	1400
CONCRETE QUANTITY (CUBIC METRES)	0.25	0.27	0.325	0.38	0.67	1.02	1.40
REINFORCEMENT DIAMETER	10	10	10	10	12	12	12
REINFORCEMENT LENGTH (MM)	1680	1680	1830	1845	2200	2500	2600
REINFORCEMENT MASS (KG)	1.1	1.1	1.2	1.3	2.0	2.6	2.95

NOTE: COMPRESSIVE STRENGTH (F_c) FOR CAST IN-SITU CONCRETE TO BE A MINIMUM OF 25MPa AT 28 DAYS.

Rev	Description	Eng	Draft	Date
P2	SCHEMATIC DESIGN	AH	LW	30.08.24
P1	SCHEMATIC DESIGN	AH	LW	07.06.24

MAITLAND HEALTH CAMPUS PROJECT

DETAILS SHEET



612 9439 7288 | Level 6, 73 Miller Street, North Sydney, NSW 2060

SCHEMATIC DESIGN
NOT TO BE USED FOR CONSTRUCTION

221372 TTW-CIV-DWG-MH-190 P2